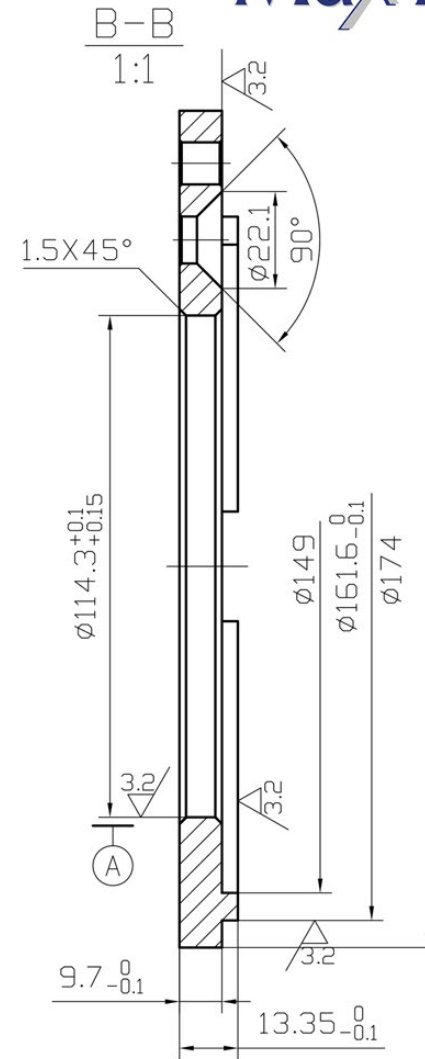
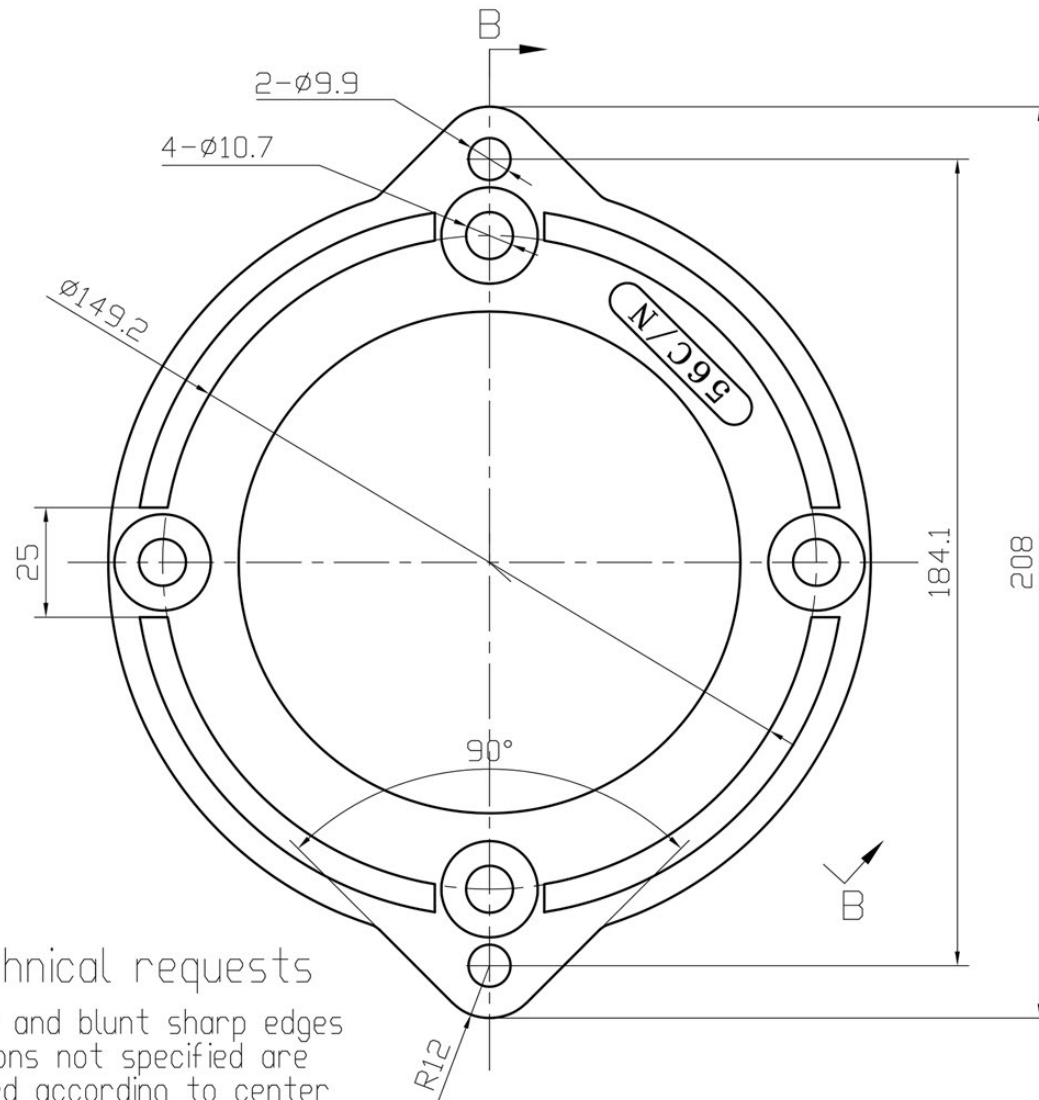


Version:2HUA	Revised: July 2020	<b>HP</b>	<b>RPM</b>	<b>FRAME</b>	<b>ENCLOSURE</b>
Customer is responsible in determining that MaxMotion product will fit/perform suitably in the intended application		1	1800	56C	TEFC

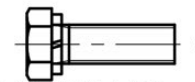
## MPRP-104CH



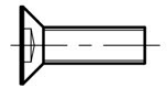
technical requests

debur and blunt sharp edges  
dimensions not specified are  
machined according to center  
symmetry

**ITEM #:56C/N**



5/16-18UNCx1-1/4  
With Spring Washer Galvanized  
2 PCS



3/8-16UNCx1  
Blackening  
4 PCS